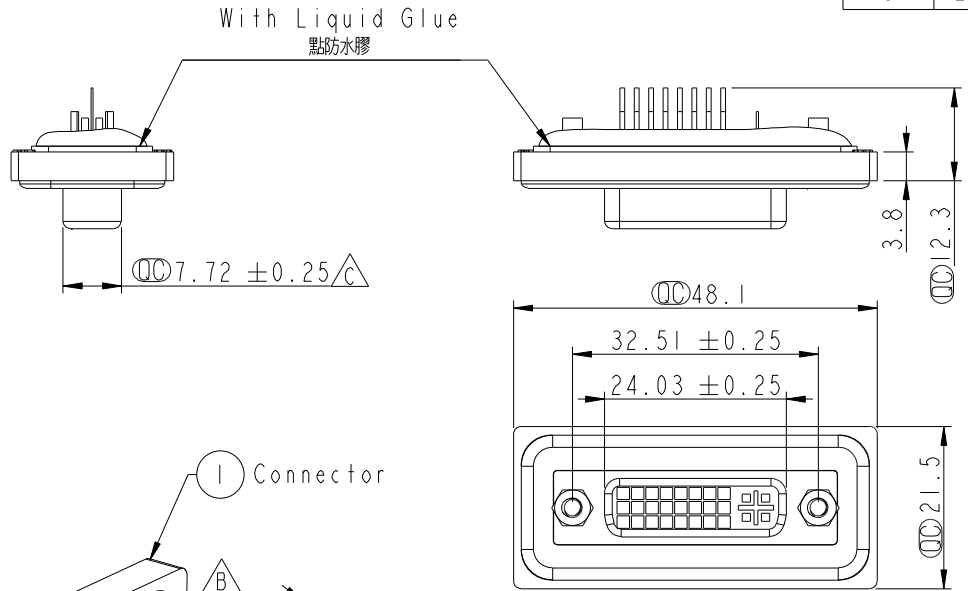


REV.	ECN NO.	DATE	SIGN	DESCRIPTION
B	LE3-710144	2006/12/13	Gao Ling	Move O-ring to ZSE00100840
C	LEN1380073	2013/08/02	Sam	Modify Dimension

THIS DOCUMENT IS SUBJECT TO CHANGE WITHOUT NOTICE. IT IS CONFIDENTIAL AND A PROPERTY OF Amphenol LTW. DISCLOSURE TO THIRD PARTY HAS TO BE AUTHORIZED BY Amphenol LTW.



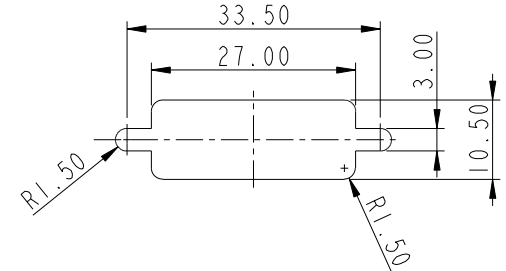
ALTW
CONFIDENTIAL
2013-08-02
R&D DEPT.

ALTW
DCC. DEPT.
CONFIDENTIAL
2013.08.12
ISSUED



Screw L=5.0 For Panel Thickness Under 1.2mm
適用板厚為 1.2mm 以下

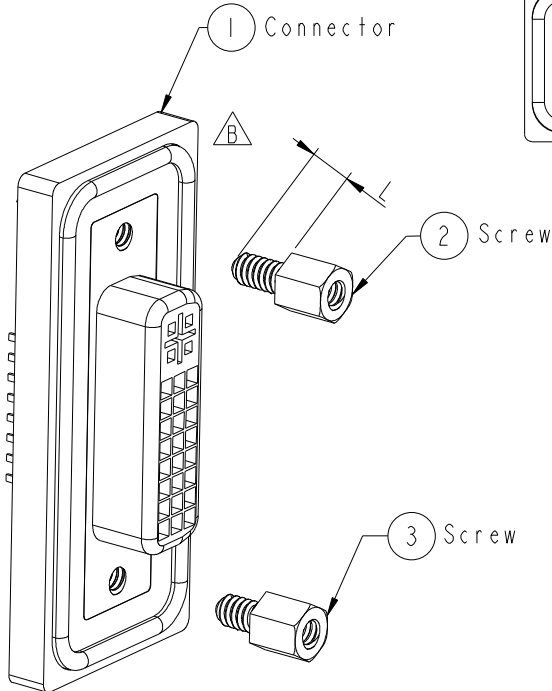
Screw L=6.0 For Panel Thickness Between 1.2~2.0mm
適用板厚為 1.2~2.0mm



Recommended Panel Cut-Out
建議挖孔尺寸

Note:

- * \varnothing Important Dimension.
- * Waterproof Rate : IP68
IP68: 1M of depth of water 24 hours
(防水等級: IP68)
(IP68: 1米水深 24 小時)
- * Do Mating Test After Glued
點膠後, 須作對插測試
- * Add glue can't highly exceed pin
(點膠高度不得蓋過 pin 針)
- \triangle * DVI Conn. : Black Core , Nylon66
- * Plastic Jacket : Black , Nylon+GF
- \triangle * Pin : Copper Alloy , Gold Plated
- * Ring : Light Blue, Silicone
- \triangle * Screw : Copper Alloy, Nickel Plated, #4-40 UNC



UNIT: mm	\varnothing	∇
TOLERANCE		
.X	±0.25	
.XX	±0.1	
.XXX	±0.05	
ANGLES	±1°	

TITLE Female DVI Connector(24+1)			
SCALE 1:1	SIZE A4	SHEET 1 OF 1	
REV. C	WC-REV. A.6	\varnothing : Inspection item	

Amphenol LTW
安費諾亮泰企業股份有限公司

ITEM NO DDD-25PFFS-SL8001	DRAWN BY SamChang	DATE 2013-08-02
DWG NO DDD-25PFFS-SL8001	CHECKED BY Rita	DATE 2013-08-02
CUSTOMER ALTW	APPROVED BY Maslow	DATE 2013-08-02