

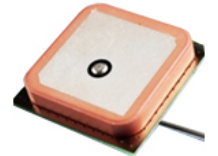
# GPS Active Internal Patch

## APAM2764YK0175



ESD Sensitive

RoHS/RoHS II compliant



27.0 x 27.0 x 7.0mm

MSL level: Not Applicable

### FEATURES:

- Compact Size
- Easy to Install
- RoHS Compliant

### TYPICAL APPLICATIONS:

- Automotive Navigation, Marine buoys
- Personal Tracking
- Surveying equipment, Cell phone, Laptop
- Healthcare and medical monitoring devices, PND, PDA

### STANDARD SPECIFICATIONS:

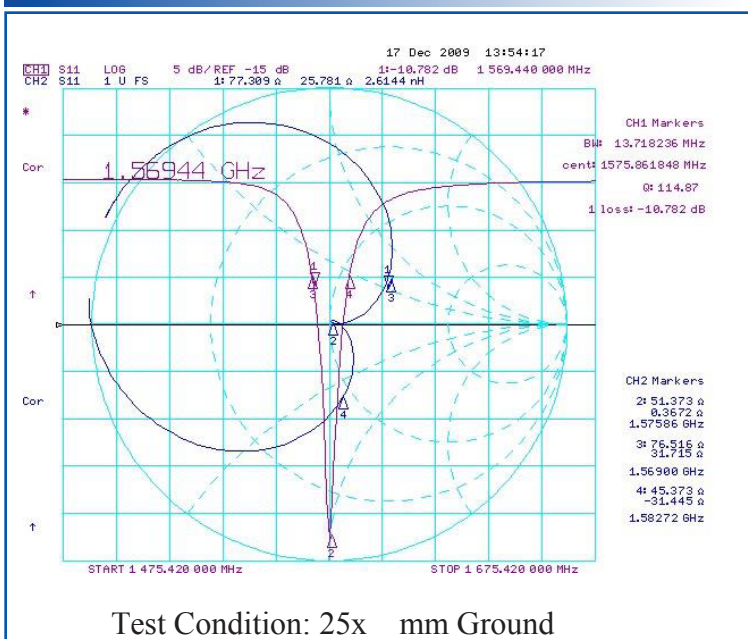
#### Antenna

Parameters	Min.	Typ.	Max.	Units	Note
Center Frequency	1575.42±1.02			MHz	
Bandwidth	5			MHz	
Gain		2.5		dBic	(Peak gain on 70*70mm Ground Plane facing Zenith.)
VSWR @ Center Frequency		1.5			
Polarization Model	RHCP				(Right Hand Circular Polarization)
Impedance	50			Ω	
Frequency Temperature Coefficient	-10		10	ppm/°C	
Working Temperature	-25		+72	°C	
Storage Temperature	-45		+85	°C	

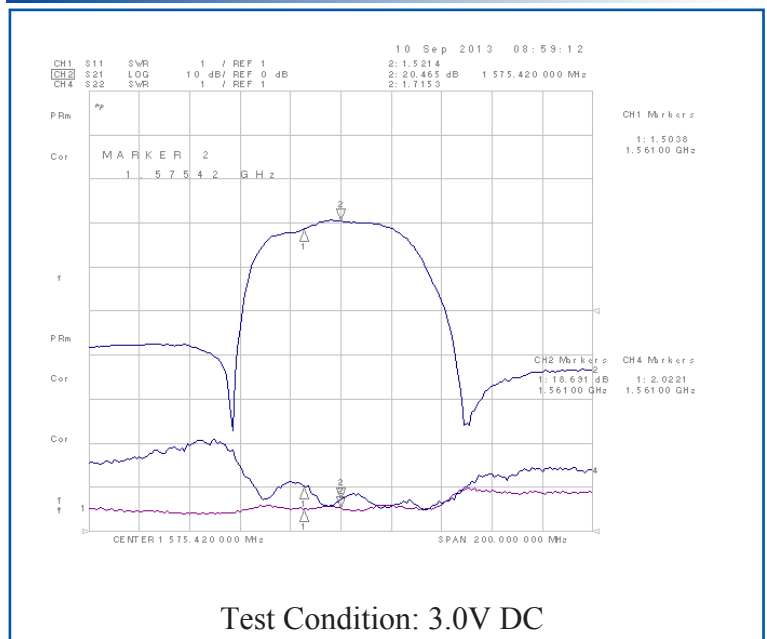
#### Low Noise Amplifier (LNA)

Parameters	Min.	Typ.	Max.	Units	Note
Center Frequency	1575.42±1.02			MHz	
DC Voltage	2.7		3.3	V	
Gain		28		dB	(Without cable +25°C± 10°C)
Output VSWR			2.0		
Noise Figure		1.3			(+25°C± 10°C)
DC current		9.8		mA	(At 3.0V)

### SMITH CHART



### GPS LNA GAIN PLOT



ABRACON IS  
ISO9001:2008  
CERTIFIED

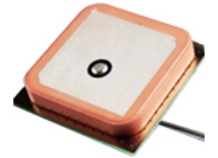


2 Faraday, Suite# B | Irvine | CA 92618 Revised: 07.01.15  
 Ph. 949.546.8000 | Fax. 949.546.8001  
 Visit [www.abracon.com](http://www.abracon.com) for Terms and Conditions of Sale

# GPS Active Internal Patch

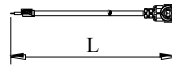
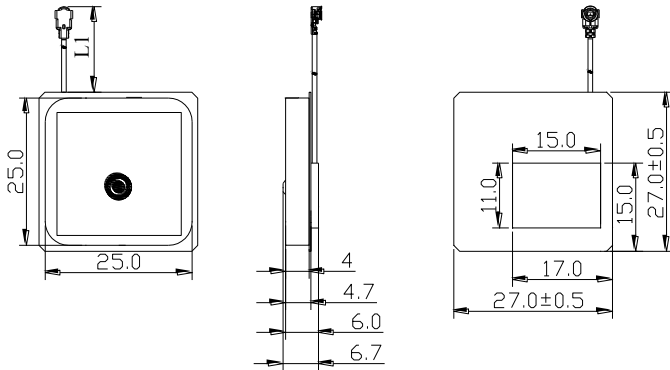
**APAM2764YK0175**

RoHS/RoHS II compliant



27.0 x 27.0 x 7.0mm

## OUTLINE DIMENSION:



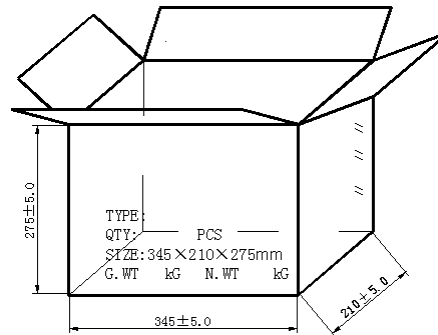
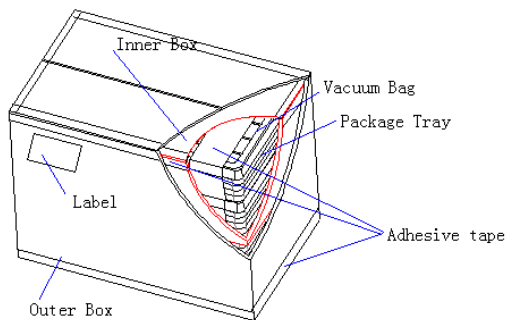
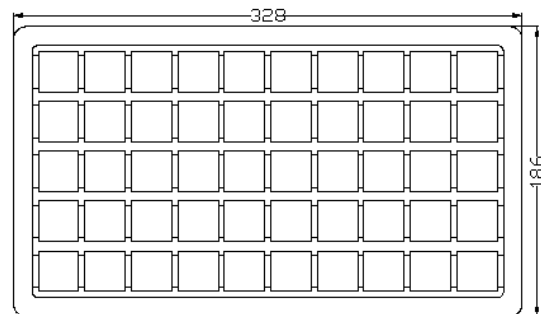
Tolerance: ±0.2mm

Description	Material
Antenna Type	Dielectric Ceramics
PCB	FR4
Shielding	Tinplate
RF Cable	9851SC0032-002, φ1.13±0.1mm, L=50mm, L1=36mm
RF Connector	I-PEX
Thickness	7.0mm (Max)

Unit: mm

## PACKAGING

Package Type	Quantity
Tray	50 pcs/tray
Vacuum Bag	200pcs/box
Outer Box	1000 pcs/box



**ATTENTION:** Abracon Corporation's products are COTS – Commercial-Off-The-Shelf products; suitable for Commercial, Industrial and, where designated, Automotive Applications. Abracon's products are not specifically designed for Military, Aviation, Aerospace, Life-dependant Medical applications or any application requiring high reliability where component failure could result in loss of life and/or property. For applications requiring high reliability and/or presenting an extreme operating environment, written consent and authorization from Abracon Corporation is required. Please contact Abracon Corporation for more information.

ABRACON IS  
ISO9001:2008  
CERTIFIED



2 Faraday, Suite# B | Irvine | CA 92618 Revised: 07.01.15  
Ph. 949.546.8000 | Fax. 949.546.8001

Visit [www.abracon.com](http://www.abracon.com) for Terms and Conditions of Sale